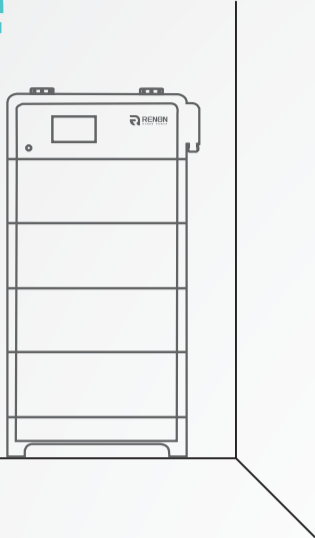


Quick Installation Guide

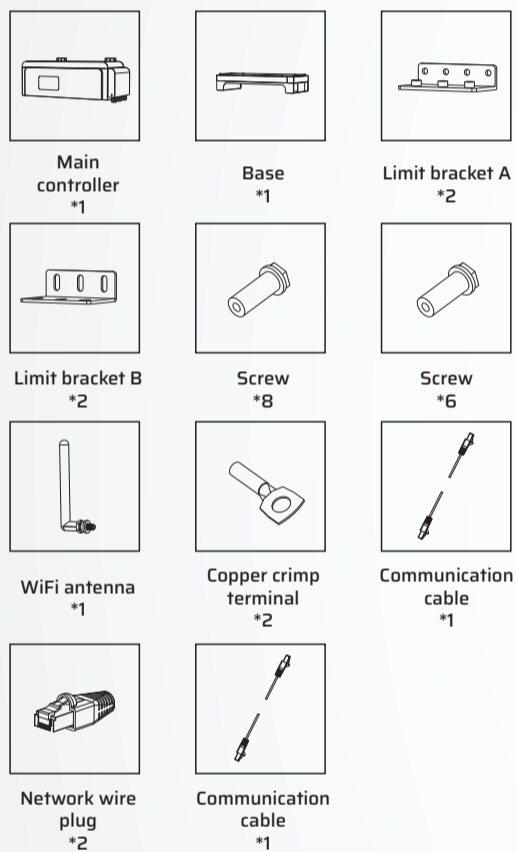
Household Energy Storage
Xtreme



Package Contents

The following items are included in the package:

(1) Main controller:



(2) Battery module:



Tools & Safety Gear Required

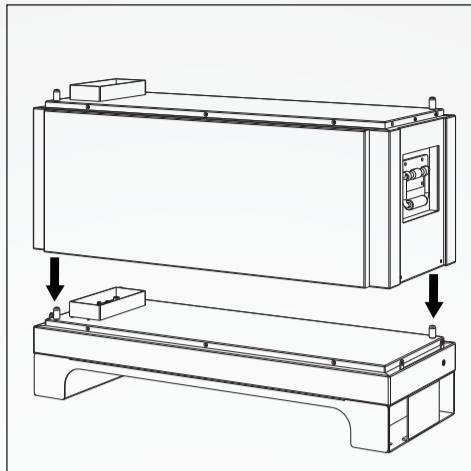
The following tools are required to install the battery pack:



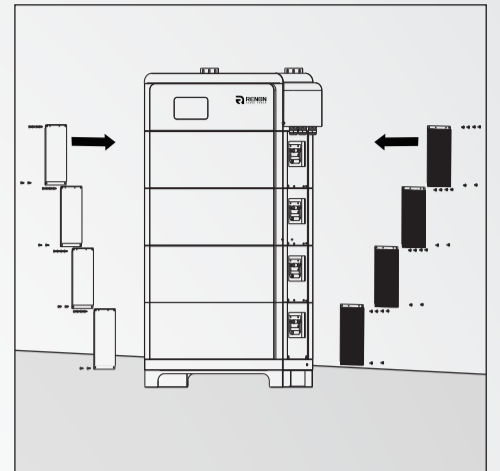
It is required to wear the following safety gears when handling the battery pack.



Step 1: Bracket Mounting

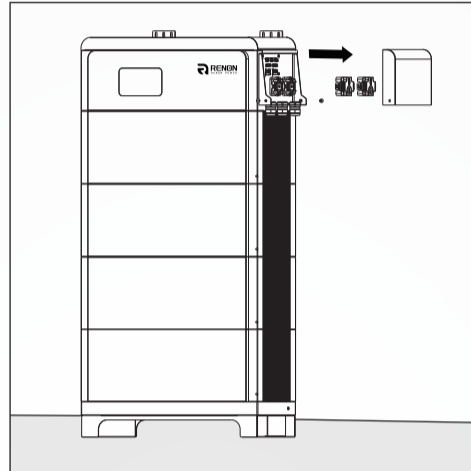


I. Stacked up the modules.

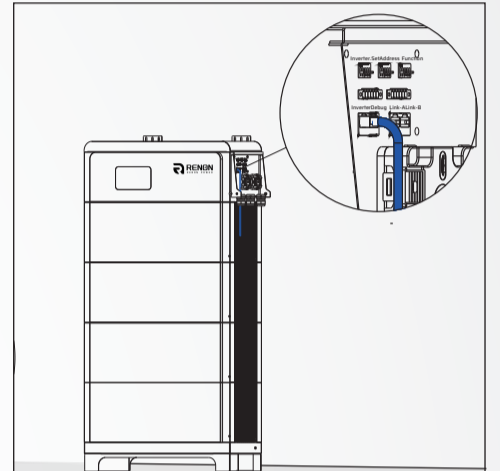


II. Install the side panel onto the system from the bottom to the top.

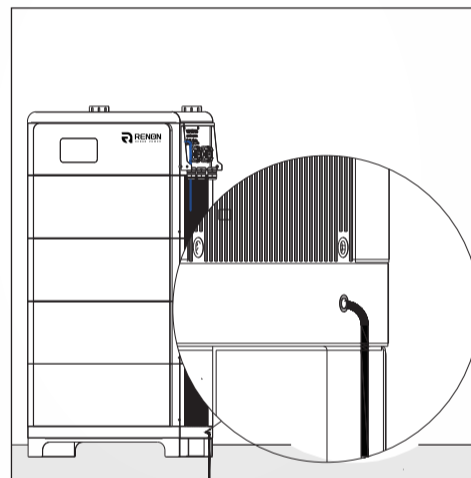
Step 2: Cable Connection



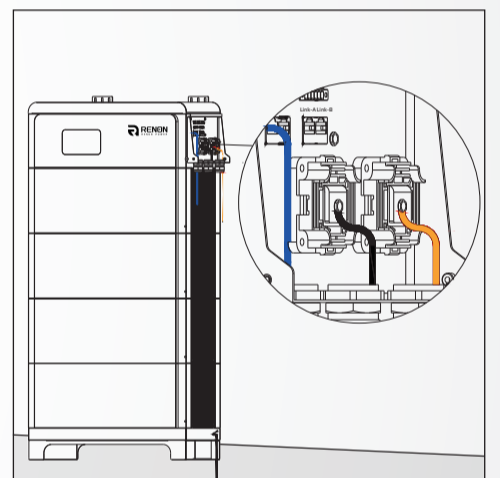
I. Remove the side covers on the main control module.



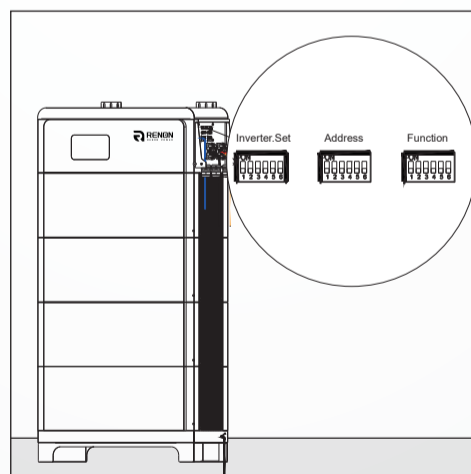
II. Connect the inverter communication cable.



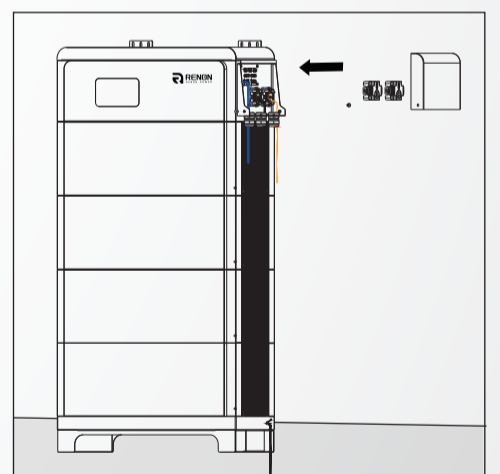
III. Connect the grounding wire.



IV. Connect the positive and negative power cable to the product correctly as shown in the figure.

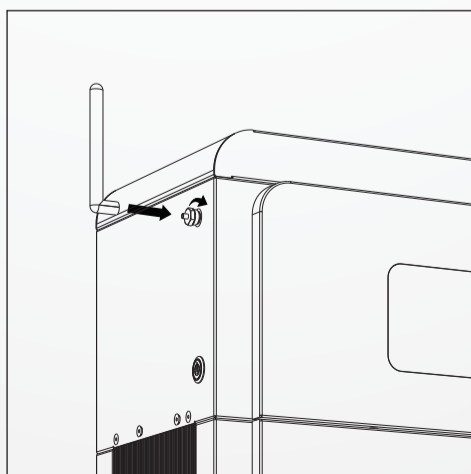


V. Dial the communications code according to the user manual.

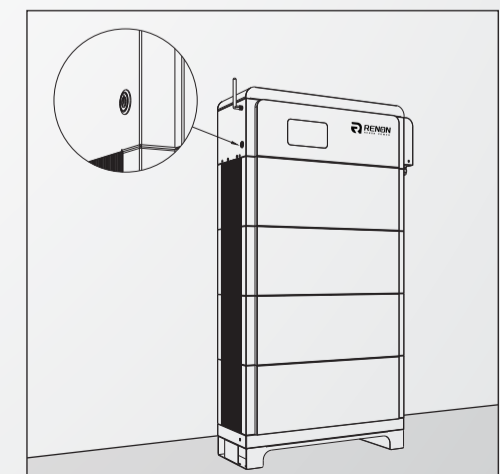


VI. Put the side covers back.

Step 3: Setting & Power On



I. Screw-in the antenna to the wifi port on the left side of master control module.



II. Power on.